

# PNEUMATIC / 气动膨胀式蝶阀 EXPANSION BUTTERFLY VALVE

为您提供最可靠的工程解决方案  
Your Reliable Engineering Solutions Partner



**广州佳富流体控制科技有限公司**  
GUANGZHOU JIAFU FLUID CONTROL TECHNOLOGY CO., LTD

① 广东省广州市番禺区大龙街金禹西街67号2806房  
☎ 020-38761901    ☎ 020-38761902  
🌐 www.jiafult.com    ✉ jiafult@126.com

ADD: Room 2806, No.67, Jinyu West Street, Dalong Street,  
Panyu District, Guangzhou City, Guangdong Province, China  
TEL: +86-20-38761901    FAX: +86-20-38761902  
HTTPS: //www.jiafult.com    E-mail: jiafult@126.com

**广州佳富流体控制科技有限公司**  
GUANGZHOU JIAFU FLUID CONTROL TECHNOLOGY CO., LTD

# 企业简介

## ENTERPRISE PROFILE

广州佳富流体控制科技有限公司是一家集研发、生产、销售、安装和服务于一体的专业化控制阀企业，引进德国霍尔控制阀的整套技术与图纸，在自控工程行业中拥有核心技术和专业研发精英队伍，生产总部设在美丽的浙江杭州。

公司拥有一系列国际质量及标准认证，如ISO9001质量管理体系认证、SIL阀门功能安全认证、API防火认证、TS特种设备生产制造许可证。经过不断引进吸收国外先进研发成果和管理经验，已具有国际性的生产、销售和服务团队。其生产基地占地面积25000余平方米，拥有中、高级技术人员50人，现有员工200余人，拥有数控加工中心、车床、铣床、钻床、检测、铸造、热处理、流量测试、压力试验台等生产设备及质量检测中心。

我们致力于各种复杂工况的控制阀的国产化研发、生产，各种控制阀的研发及市场开发已取得了突破。核心主导产品系列：高精度气/电动调节阀，高可靠性气/电动球阀、蝶阀，高性能自力式调节阀，衬塑耐腐蚀调节阀，高温高压耐磨特种阀门。产品涵盖的品种规格五千余种等，公司同时拥有更大口径、极端工况、特殊介质等条件下使用的专用阀门。

佳富将一如既往地与各行业的客户保持紧密的联系，通过全体员工继续努力进行技术创新，不断的开发新产品以满足客户要求，以优质的产品和可靠的解决方案为广大客户提供更好的服务。

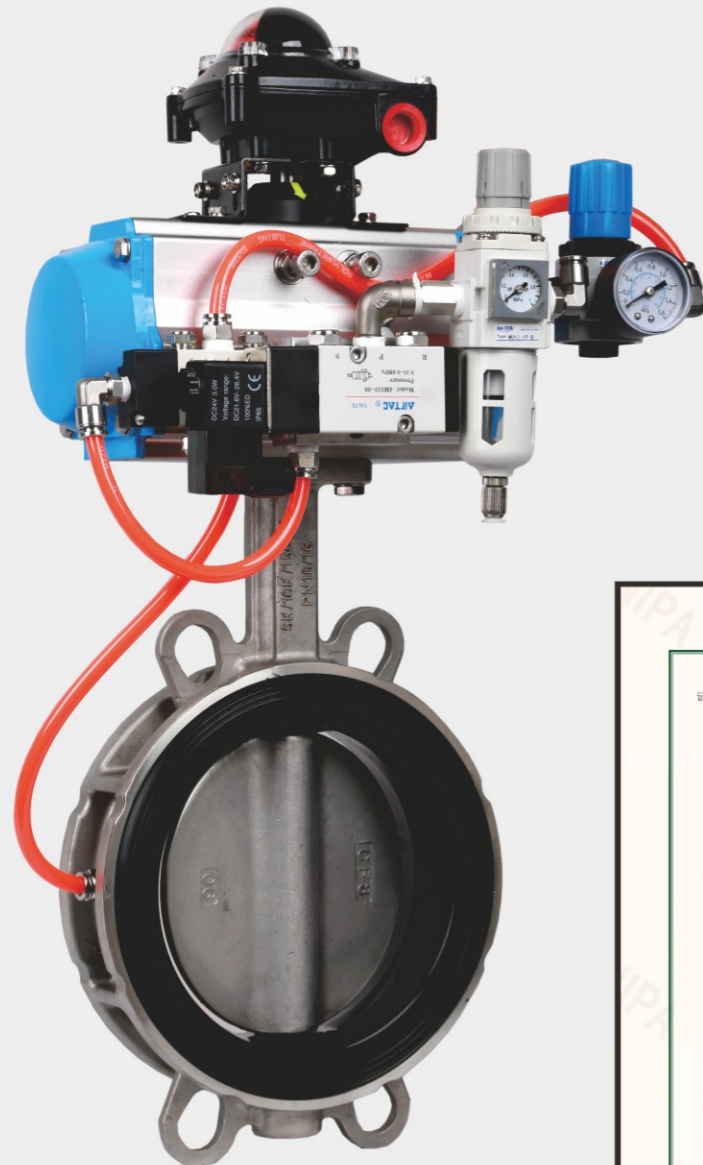
Guangzhou Jiafu fluid control technology Co., Ltd. is a professional control valve enterprise integrating R & D, production, sales, installation and service. It introduces the complete set of technology and drawings of German hall control valve, and has core technology and professional R & D elite team in automatic control engineering industry, and its production headquarters are located in beautiful Hangzhou, Zhejiang Province.

The company has a series of international quality and standard certification, such as ISO9001 quality management system certification, SIL valve functional safety certification, API fire protection certification, TS special equipment manufacturing license. Through continuous introduction and absorption of foreign advanced R & D achievements and management experience, we have an international production, sales and service team. Its production base covers an area of more than 25000 square meters. It has 50 middle and senior technical personnel and more than 200 employees. It has CNC machining center, lathe, milling machine, drilling machine, testing, casting, heat treatment, flow test, pressure test bench and other production equipment and quality inspection center.

We are committed to the domestic R & D and production of various control valves with complex working conditions. We have made breakthroughs in the R & D and market development of various control valves. Core leading product series: high precision gas / electric control valve, high reliability gas / electric ball valve, butterfly valve, high performance self operated control valve, plastic lined corrosion control valve, high temperature and high pressure wear-resistant special valve. The products cover more than 5000 kinds of specifications, and the company also has a larger diameter, extreme working conditions, special media and other conditions of special valves.

Jiafu will, as always, keep close contact with customers in various industries. Through the continuous efforts of all staff to carry out technological innovation, constantly develop new products to meet customer requirements, and provide better service for customers with high-quality products and reliable solutions.





【专利产品】



【专利证书】

### 产品概述

气动膨胀式蝶阀由佳富独特的设计，采用气源压力使阀座向着阀瓣伸展，以便于随时为密封提供均匀分布的压力。由于在阀门的开启和关闭期间，阀瓣和阀座只会发生瞬时接触，从而使阀盘仅受到轻微的碰撞。相反对于一般的蝶阀来说，阀瓣与阀座产生的摩擦，会降低阀门的密封性能和寿命。

气动膨胀式蝶阀打开和关闭时只需要很小的扭矩。这样可以使使用较小的执行器。从而降低整套阀门的成本。根据实际比较测试和现场应用记录，气动膨胀式蝶阀性能优越于所有的阀门。事实上一个气动膨胀式蝶阀的寿命能达到一至三百万次循环周期，甚型在严重磨损的情况下也能使用。这是不同寻常的。对于干燥的固体、气体和泥浆体，适合使用气动膨胀式蝶阀。

气动膨胀式蝶阀是为苛刻的条件而设计的。阀座是为重载和更高的操作压力而设计的。阀门的尺寸范围为2"(50mm)~24"(600mm)，适用于ANSI和公制法兰标准，系列齐全的执行器，限位开关和控制装置能有效地满足不同的应用要求。

### 性能与特点

重载型

膨胀式阀座可降低阀瓣和阀座的磨损

较长的阀门寿命

较小的阀座磨损

阀瓣碰撞极其微小

超低的扭矩要求

较低的执行器能量需求

较大的密封接触面积

对，磨蚀性物料和干散固体具有经过验证的优越性

阀瓣的设计可防止物料的堆积

双轴密封

多重轴承

安全保险监视

### 工作原理

关闭，未密封状态

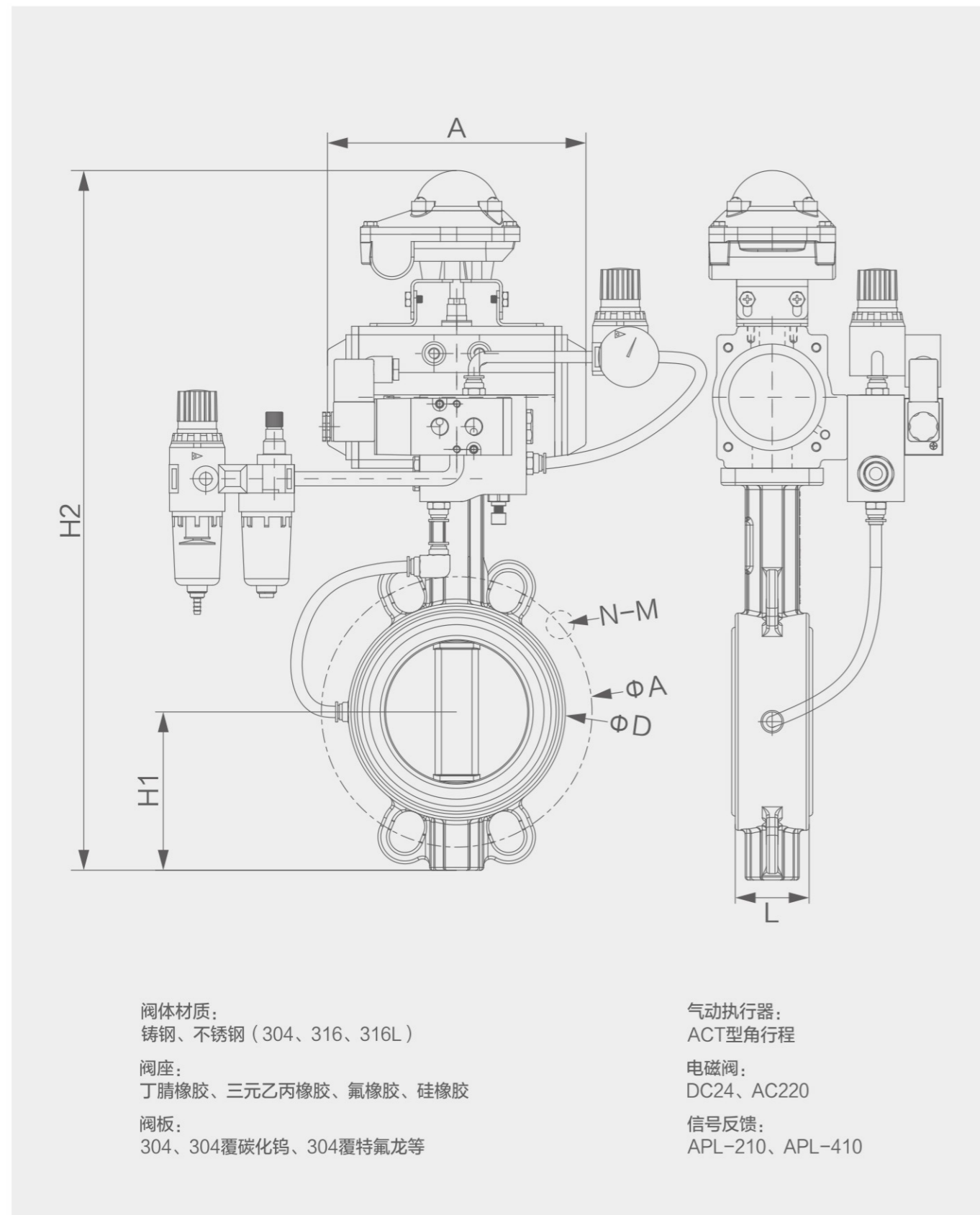
当阀门运动到关闭位置时，阀瓣只瞬间接触阀座，从而减低摩擦、磨损和扭矩的需求。

关闭，密封状态

阀门关闭后，阀座向着阀瓣膨胀，从而提供了更大密封面，并对阀瓣提供均匀的压力分布。

打开，未密封状态

打开阀门前，阀座先排气收缩，然后阀盘自由转动至开启位置。



主要外形连接尺寸

口径	L	ΦA(PN10/16)	H1	N-M(PN10/16)	H2	ΦD	A
50	42	125	55	4-16	389	95	155
65	44	145	64	4-16	411	114	155
80	44	160	73	8-16	426	126	155
100	50	180	88	8-16	492	154	219
125	56	210	102	8-16	519	180	219
150	56	240	115	8-20	558	206	249
200	60	295	149	8-20/12-20	642	264	274
250	68	350/355	184	12-20/12-24	722	320	315
300	78	400/410	207	12-20/12-24	819	370	417
350	78	460/470	247	16-20/16-24	931	430	452
400	102	515/525	275	16-24/16-27	971	480	540
450	114	565/585	307	20-24/20-27	1091	550	585
500	127	650/656	330	20-24/20-30	1184	590	685
600	151	725/770	400	20-27/20-33	1375	695	743